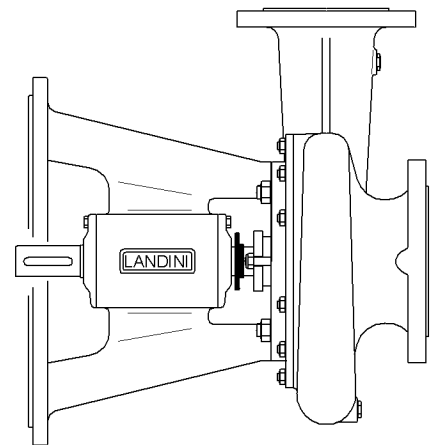
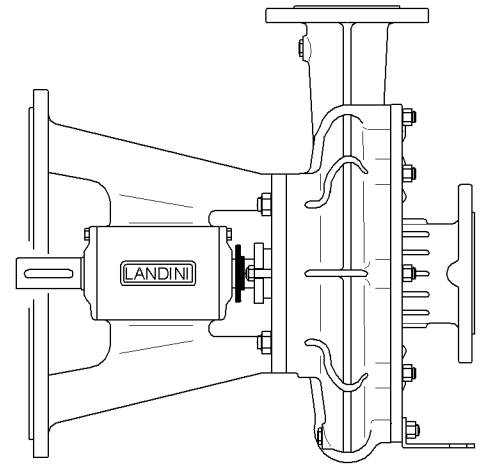


Pompe centrifughe monogirante flangiate SAE

Single-stage flanged centrifugal pumps SAE norm

Pompes centrifuges monoroue brides SAE

Einstufige Flanschpumpen nach SAE normen



SERIE **FS**

LANDINI

LANDINI

Pompe s.r.l.

Pompe centrifughe monogirante flangiate **SAE**
 Single stage flanged centrifugal pumps **SAE** norm
 Pompes centrifuges monoroues brides **SAE**
 Einstufige Flanscpumpen nach **SAE** normen

FS

Giri/1'
R.P.M.
Tours/1'
U/1'

1450

Pompa tipo	Girante	Portata - Capacity - Débit - Fördermenge																	
		mc/h	18	24	30	36	42	48	54	60	72	84	96	108	120	135	150	165	180
Pump type	Impeller	l/min	300	400	500	600	700	800	900	1000	1200	1400	1600	1800	2000	2250	2500	2750	3000
Pompe type	Roue	USG/min	79.3	106	132	158	185	211	238	264	317	370	423	475	528	594	660	726	793
Pumpe Typ	Lauftrad	IG/min	66	88	110	132	154	176	198	220	264	308	352	396	440	495	550	605	660

FS6/M*	B	H																			35.5	35	34.5	34	32	30	27.5	24.5							
		P																				11	11.5	12	13	14	15	16	16.8						
	A	H																				38	37.5	37	36	34	32	29	26						
		P																					12	12.5	13	14.5	15.5	16.5	17.5	18.5					

FS7**	A	H																			22	21	20.5	19.5	18.5	17.5	15.5	14	12.5						
		P																					9.6	9.9	10.6	11	11.7	12	12.3	12.4	12.6				

FS8**	A	H																			35	34	33	32	31	30	28	26						
		P																					18	19	20.5	22	23	24.5	26	26.5				

		H																																	
		P																																	

LANDINI

Pompe s.r.l.

Pompe centrifughe monogirante flangiate **SAE**
 Single stage flanged centrifugal pumps **SAE** norm
 Pompes centrifuges monoroues brides **SAE**
 Einstufige Flanscpumpen nach **SAE** normen

FS

Giri/1'
R.P.M.
Tours/1'
U/1'

1450

Pompa tipo	Girante	Portata - Capacity - Débit - Fördermenge																	
		mc/h	84	96	108	120	132	144	156	168	180	192	216	240	264	288	312	336	360
Pump type	Impeller	l/min	1400	1600	1800	2000	2200	2400	2600	2800	3000	3200	3600	4000	4400	4800	5200	5600	6000
Pompe type	Roue	USG/min	370	423	475	528	581	634	687	740	793	846	951	1057	1162	1268	1379	1480	1585
Pumpe Typ	Lauftrad	IG/min	308	352	396	440	484	528	572	616	660	704	792	880	968	1056	1144	1232	1320

FS7/M*	C	H																			50	49.5	49	48	47	46	45	43	41							
		P		24	26	28	30	31.5	33	35	36.5	37.5																								
	B	H																				56	55.5	55	54	53	52	51	49	47						
		P		27.5	30	32	34	36	37.5	40	41	42																								
	A	H																				62	61.5	61	60	59	58	57	55	53						
		P		31	33.5	36	38	40	42.5	45	46	48																								

FS8/M*	E	H																			38	37	36.5	35.5	34	32.5	30	28	26	24										
		P		24.5	27	28.5	29.5	31	33.5	36	38	40	42																											
	D	H																				44	43	42	41	40	39	36.5	34	31.5	30									
		P		29	31	33	35	37	38.5	41	44	46.5	49																											
	C	H																				50	49	48.5	48	47	46	44.5	41.5	38	36.5	31								
		P		35	37	39	41	43	45	47.5	50.5	53	55	57																										
	B	H																				55	54.5	54	53.5	53	52	50	47.5	44	42	39	35							
		P		40	44	46	48	50	51.5	54.5	58.5	60	62.5	66.5	68																									
	A	H																				61.5	61	60.5	60	59	58	56	54	51.5	48	45	42	37						
		P		46	48	50	52	54	56	59	63.5	67	70.5	74.5	78.5	82																								

* = Alta prevalenza - High delivery head - Haute pression - Hochdruck

** = Media prevalenza - Medium delivery head - Moyenne pression - Mitteldruck

H= Prevalenza in metri - Total manometric head in mts. - Hauteur manometrique en mt. - Förderhöhe in mt.

P= Potenza assorbita in CV - Absorbed power in HP - Puissance absorbée en CV - Leistungsaufnahme in PS

LANDINI

Pompe s.r.l.

Pompe centrifughe monogirante flangiate **SAE**
 Single stage flanged centrifugal pumps **SAE** norm
 Pompes centrifuges monoroues brides **SAE**
 Einstufige Flanshpumpen nach **SAE** normen

FS

Giri/1' **1750**
 R.P.M.
 Tours/1'
 U/1'

Pompa tipo	Girante	Portata - Capacity - Débit - Fördermenge																	
		mc/h	18	24	30	36	48	60	72	84	96	108	120	135	150	165	180	195	210
Pump type	Impeller	l/min	300	400	500	600	800	1000	1200	1400	1600	1800	2000	2250	2500	2750	3000	3250	3500
Pompe type	Roue	USG/min	79.3	106	132	158	211	264	317	370	423	475	528	594	660	726	793	858	925
Pumpe Typ	Lauftrad	IG/min	66	88	110	132	176	220	264	308	352	396	440	495	550	605	660	715	770
FS6/M*	B	H																	
		P																	
	A	H																	
		P																	
FS7**	A	H																	
		P																	
FS8**	B	H																	
		P																	
	A	H																	
		P																	

LANDINI

Pompe s.r.l.

Pompe centrifughe monogirante flangiate **SAE**
 Single stage flanged centrifugal pumps **SAE** norm
 Pompes centrifuges monoroues brides **SAE**
 Einstufige Flanshpumpen nach **SAE** normen

FS

Giri/1' **1750**
 R.P.M.
 Tours/1'
 U/1'

Pompa tipo	Girante	Portata - Capacity - Débit - Fördermenge																	
		mc/h	84	96	108	120	132	144	156	168	180	192	216	240	264	288	312	336	360
Pump type	Impeller	l/min	1400	1600	1800	2000	2200	2400	2600	2800	3000	3200	3600	4000	4400	4800	5200	5600	6000
Pompe type	Roue	USG/min	370	423	475	528	581	634	687	740	793	846	951	1057	1162	1268	1379	1480	1585
Pumpe Typ	Lauftrad	IG/min	308	352	396	440	484	528	572	616	660	704	792	880	968	1056	1144	1232	1320
FS7/M*	D	H																	
		P																	
	C	H																	
		P																	
	B	H																	
		P																	
	A	H																	
		P																	
FS8/M*	D	H																	
		P																	
	C	H																	
		P																	
	B	H																	
		P																	
	A	H																	
		P																	

* = Alta prevalenza - High delivery head - Haute pression - Hochdruck
 ** = Media prevalenza - Medium delivery head - Moyenne pression - Mitteldruck

H= Prevalenza in metri - Total manometric head in mts. - Hauteur manometrique en mt. - Förderhöhe in mt.
P= Potenza assorbita in CV - Absorbed power in HP - Puissance absorbée en CV - Leistungsaufnahme in PS

Pompa tipo	Girante	Portata - Capacity - Débit - Fördermenge																	
		mc/h	84	96	108	120	132	144	156	168	180	192	216	240	264	288	312	336	360
Pump type	Impeller	l/min	1400	1600	1800	2000	2200	2400	2600	2800	3000	3200	3600	4000	4400	4800	5200	5600	6000
Pompe type	Roue	USG/min	370	423	475	528	581	634	687	740	793	846	951	1057	1162	1268	1379	1480	1585
Pumpe Typ	Laufrad	IG/min	308	352	396	440	484	528	572	616	660	704	792	880	968	1056	1144	1232	1320

FS6/M*	B	H	67	65.5	64	61	58.5	54.5	50.5	44.5										
		P	31	33.3	35.4	37.5	38.7	40	42	45										
	A	H	70.5	69	66.5	64	61	57	52.5	47										
		P	34.5	37	39.2	41.8	43.5	45.2	47.3	48.8										

FS7**	A	H	42.5	42	41.5	41	40	38.5	37.5	36	34.5	32.5	28						
		P	21.5	23.3	24.8	26	27	28	29	30	31	31.7	33						

FS8**	B	H	63.5	63	62.5	62	61.5	61	60	58.5	57	55.5	53.5						
		P	35.5	37.5	40	43	45.5	47.5	49.5	51.5	53.5	55	58						
	A	H	67.5	67	66.5	66	65.5	64.5	63.5	62.5	61	59.5	56						
		P	39	41.5	44	46.8	49.3	51.8	54.2	56.4	58.5	60.5	63.5						

FS7/M*	D	H		83.5	83	82.5	81.5	80.8	79.5	78	76	74	69	63					
		P		49.6	53.5	57	60	63	65.5	68	70	72.5	77	82					
	C	H		94	93.5	93	92.5	91.5	90.5	89	87.5	85	80.5	73.5					
		P		58	62	65.8	69.2	72.5	75.8	79.4	83	86.5	93.5	99					
	B	H		105	104	103	102	101	100	98.5	97	95	91	85					
		P		68	72.5	77	81	85	88.5	92	95	98	105	111					
	A	H		115	114	113	112	111	110	109	107	105	100	96					
		P		82	88	92.5	96.5	101	105	108	111	114	121	130					

FS8/M*	D	H					82.3	82	81.5	80.8	80	79	76.7	74.3	71.3	68	64	60	56
		P					66.2	69.2	72	74.7	76.6	80.3	85.3	90.5	95.5	100	104	108	112
	C	H					92.7	92.6	92.5	92	91.5	91	89.5	87.3	85	82.5	79.5	76	72
		P					79	82.5	85.8	89	92	95.5	101	107	114	120	126	130	134
	B	H					106	105	104	104	103	102	101	99	97	94	91	88	84
		P					87.5	91	94.5	98.5	102	106	113	120	127	133	138	144	148
	A	H					117	117	116	116	115	114	113	111	109	106	103	99.5	96
		P					106	109	113	118	122	126	133	141	148	155	162	169	176

	H	H																	
		P																	
	H	H																	
		P																	
	H	H																	
		P																	
	H	H																	
		P																	
	H	H																	
		P																	

* = Alta prevalenza - High delivery head - Haute pression - Hochdruck
 ** = Media prevalenza - Medium delivery head - Moyenne pression - Mitteldruck

H= Prevalenza in metri - Total manometric head in mts. - Hauteur manometrique en mt. - Förderhöhe in mt.
 P= Potenza assorbita in CV - Absorbed power in HP - Puissance absorbée en CV - Leistungsaufnahme in PS

LANDINI

Pompe s.r.l.

Pompe centrifughe monogirante flangiate **SAE**
 Single stage flanged centrifugal pumps **SAE** norm
 Pompes centrifuges monoroues brides **SAE**
 Einstufige Flanshpumpen nach **SAE** normen

FS

Giri/1'
R.P.M.
Tours/1'
U/1'

2200

Pompa tipo	Girante	Portata - Capacity - Débit - Fördermenge																	
		mc/h	48	60	72	84	96	108	120	132	144	156	168	180	192	204	216	228	240
Pump type	Impeller	l/min	800	1000	1200	1400	1600	1800	2000	2200	2400	2600	2800	3000	3200	3400	3600	3800	4000
Pompe type	Roue	USG/min	211	264	317	370	423	475	528	581	634	687	740	793	846	898	951	1004	1057
Pumpe Typ	Lauftrad	IG/min	176	220	264	308	352	396	440	484	528	572	616	660	704	748	792	836	880
FS6/M*	B	H			83	82	80	77	75.5	72	69	66	62	57					
		P			37	39.8	42.5	45.5	47.8	50.5	52.5	54	55	58.5					
	A	H			87	86	84.5	82	80	76.5	73	70	65.5	59					
		P			40.5	43.6	46.6	49.6	52.3	55.5	57.5	59	60.5	64					
FS7**	A	H			52	51	50.5	50	49	48	46.5	45	43.5	42	40.5	38	36	34.5	
		P			27	29	31	32.5	34.5	36	37.5	39	40	41	41.5	42.5	43.5	44.5	
FS8**	B	H			76	75.5	75	74.5	73.5	72.5	71.5	70.5	69	68	66.5	65	62		
		P			46.5	49	53.5	54.5	57	59	61.5	63	66	67.5	69	72	75		
	A	H			81	80.5	80	79.5	78.5	77.5	76.5	75	73.5	72	70	68	66		
		P			51	54	57	60.5	63	65.5	67.5	70	72.5	74.5	76	78.5	81		

LANDINI

Pompe s.r.l.

Pompe centrifughe monogirante flangiate **SAE**
 Single stage flanged centrifugal pumps **SAE** norm
 Pompes centrifuges monoroues brides **SAE**
 Einstufige Flanshpumpen nach **SAE** normen

FS

Giri/1'
R.P.M.
Tours/1'
U/1'

2400

Pompa tipo	Girante	Portata - Capacity - Débit - Fördermenge																	
		mc/h	48	60	72	84	96	108	120	132	144	156	168	180	192	204	216	228	240
Pump type	Impeller	l/min	800	1000	1200	1400	1600	1800	2000	2200	2400	2600	2800	3000	3200	3400	3600	3800	4000
Pompe type	Roue	USG/min	211	264	317	370	423	475	528	581	634	687	740	793	846	898	951	1004	1057
Pumpe Typ	Lauftrad	IG/min	176	220	264	308	352	396	440	484	528	572	616	660	704	748	792	836	880
FS6/M*	B	H			100	99	97	95	92.5	90	87.5	85	82	79					
		P			46.5	50	53	56.5	60	62.5	65	68	70	72					
	A	H			106	105	103	101	98.5	96	93	90	87	84					
		P			51	54.5	58	62	65.5	68.5	71.5	74	76.5	78.5					
FS7**	A	H			61	60.5	60	59.5	58	57	56	55	53	51	49	47	45	43	
		P			33	36	38.5	41	43	45	47	48	50	52.5	54.5	55.5	56	56.5	
FS8**	C	H			84	83.5	83	82.5	82	81.5	80.5	79	78	77	76	74	70		
		P			54	57	60.5	64	67	70	72	74.5	77	79	80.5	82	84.5		
	B	H			89.5	89	88.5	88	87.5	87	86.5	85	84	83	82	79	76.5		
		P			58	62	66	69.5	73.5	76	78.5	81	83.5	85.5	87	89.5	92		
	A	H			96	95.5	95	94.5	94	93	92	91	90	89	87	85	83		
		P			63	67	71	75	78.5	82	84	87.5	90.5	93.5	95	97	100		
		H																	
		P																	
		H																	
		P																	

* = Alta prevalenza - High delivery head - Haute pression - Hochdruck
 ** = Media prevalenza - Medium delivery head - Moyenne pression - Mitteldruck

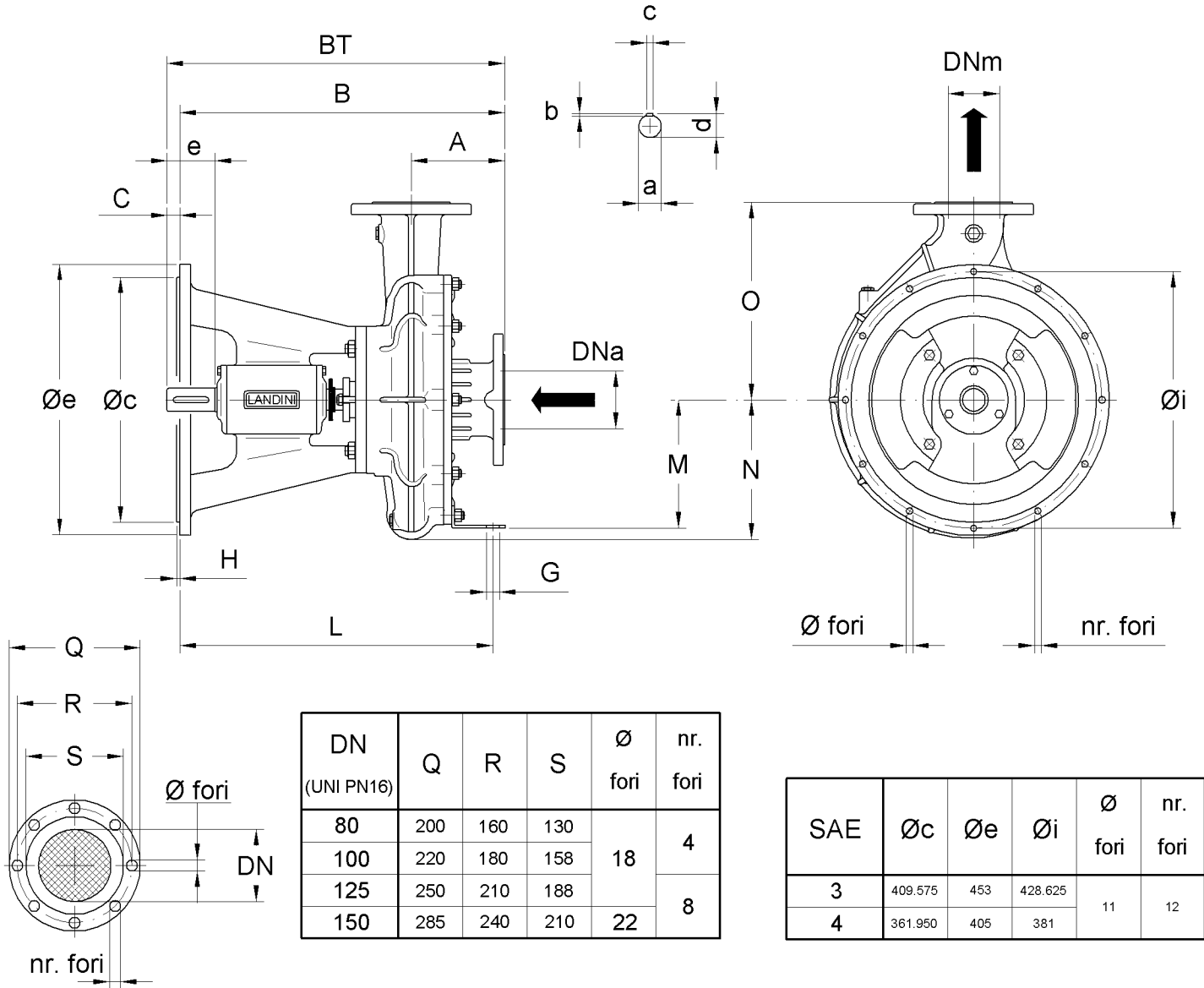
H= Prevalenza in metri - Total manometric head in mts. - Hauteur manometrique en mt. - Förderhöhe in mt.

P= Potenza assorbita in CV - Absorbed power in HP - Puissance absorbée en CV - Leistungsaufnahme in PS

Dimensioni e ingombri - Overall dimensions - Dimensions d'encombrement - Maße

Lubrificazione ad olio - Oil lubrication - Lubrification par huile - Ölschmierung

Alta prevalenza - High delivery head - Haute pression - Hochdruck

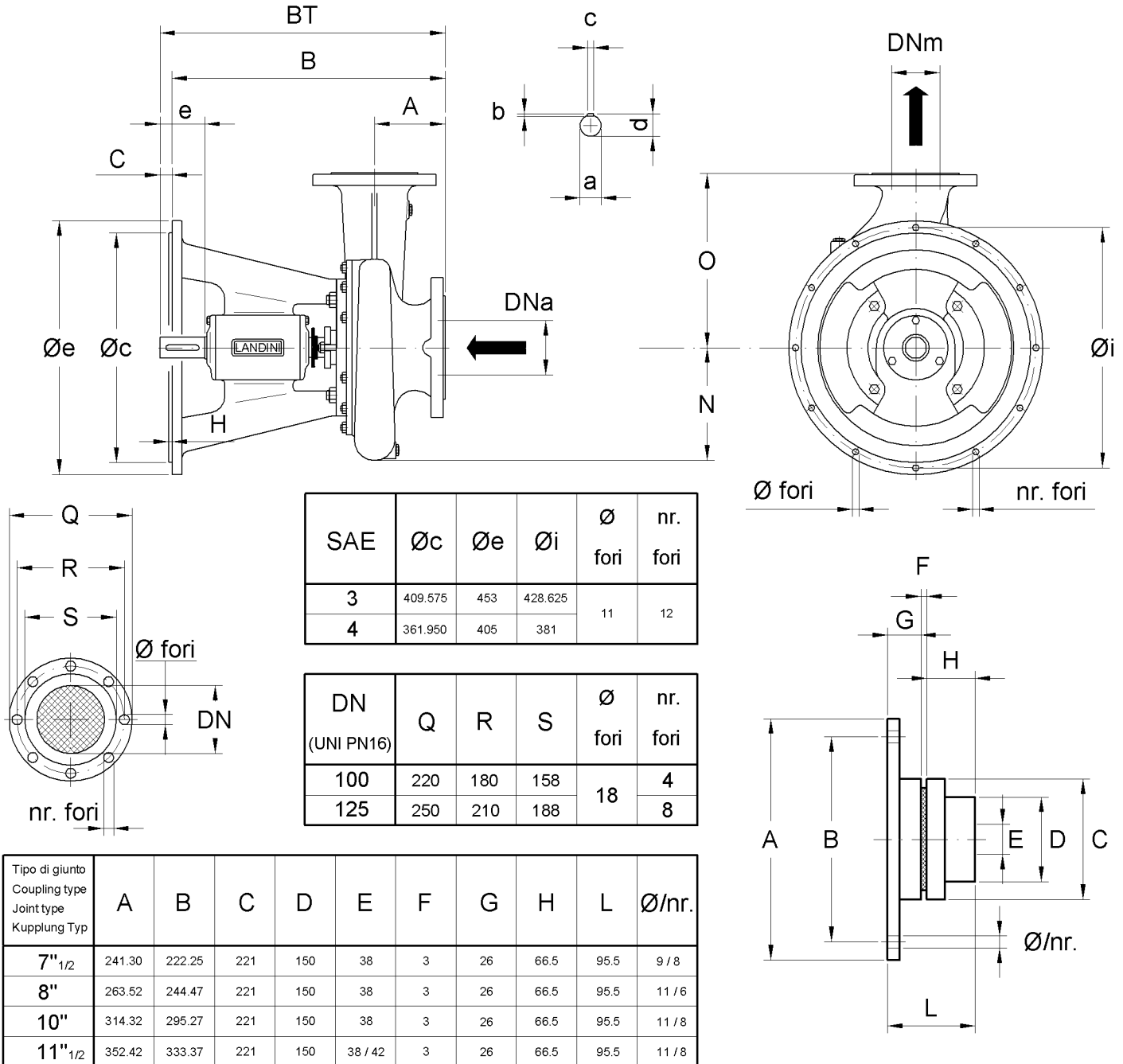


Pompa Tipo Pump Type Pompe Type Pumpe Typ	DNa	DNm	A	B	BT	C	G	H	L	M	N	O	e	a	d	c x b	Kg.	
																	SAE 3	SAE 4
FS6/M	100	80	157	543	565	22	18	6.5	502	204	233	330	80	38	41.5	10x8	110	105
FS7/M	125	100	158	666	687	22	22	6.5	634	280	287	400	100	42	45.5	12x8		
FS8/M	150	125	157	665	634	22	22	6.5	634	280	300	425	100	42	45.5	12x8		

Dimensioni e ingombri - Overall dimensions - Dimensions d'encombrement - Maße

Lubrificazione ad olio - Oil lubrication - Lubrification par huile - Ölschmierung

Media prevalenza - Medium delivery head - Moyenne pression - Mitteldruck



Pompa Tipo Pump Type Pompe Type Pumpe Typ	DNa	DNm	A	B	BT	C	G	H	L	M	N	O	e	a (h7)	d	c x b	Kg.	
																	SAE 3	SAE 4
																	FS7	125
FS8	139	510	532	22	-	6.5	-	-	232	360	94	89						

LANDINI

Pompe s.r.l.

46023 GONZAGA (MN) ITALY

Via O. Neri, 2

tel. +390376588222

fax +390376588683

<http://www.landinipompe.it>

e-mail: info@landinipompe.it
