

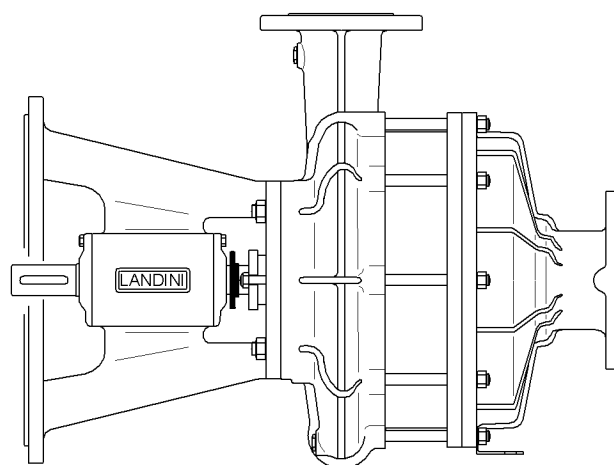
Pompe centrifughe multistadio flangiate SAE

Multistage flanged centrifugal pumps SAE norm

Pompes centrifuges multicellulaires brides SAE

Mehrstufige Flanschpumpen nach SAE normen

SERIE
FMS



LANDINI

Pompa tipo	Girante	Portata - Capacity - Débit - Fördermenge																	
		mc/h	18	24	30	36	42	48	54	60	72	84	96	108	120	135	150	165	180
Pump type	Impeller	l/min	300	400	500	600	700	800	900	1000	1200	1400	1600	1800	2000	2250	2500	2750	3000
Pompe type	Roue	USG/min	79.3	106	132	158	185	211	238	264	317	370	423	475	528	594	660	726	793
Pumpe Typ	Lauftrad	IG/min	66	88	110	132	154	176	198	220	264	308	352	396	440	495	550	605	660
FMSN50/2	A	H	33	30	25.5	20.5													
		P	4.3	5	5.5	6													
FMSN50/3	A	H	47	44	40	34													
		P	5.7	7	8	8.7													
FMS65/2	A	H		35.5	35	34	32.5	30	27.5	24									
		P		6	6.2	7	7.5	8	8.5	9									
FMS65/3	A	H		48.5	46.5	44.5	42	39	35	30									
		P		8	9.2	10	11	11.5	12	12.5									
FMS65/4	A	H		63	62	60	57	53	48	42									
		P		9.5	10.7	12	12.5	13.6	14.3	15									
FMS80/2	B	H						57	56	55	53	50	46	42	35				
		P						18.5	19.5	20.5	22	23.5	24.5	25.5	27.5				
	A	H						60	59	58	56	53	49	45	41				
		P						20	21	22	24	25	26	27.5	29				
FMS80/3	C	H						78	77	75.5	72.5	68	62.5	56	48.5	39.5			
		P						23	24	25.5	27.5	30	32	33.5	35	36.5			
	B	H						80	79.5	78	74.5	71	65	59	51.5	42			
		P						24	25	26.5	29	31.5	33.5	35	36	37.5			
	A	H						83	82.5	80.5	78	73.5	68	63	55	49.5			
		P						25	26.5	27.5	30	32.5	35	36.5	38.5	39.5			
FMS80/4	D	H						94	92	91	87	81	74	67	57				
		P						26	27.6	28.8	31.8	34	36.3	38.6	40.2				
	C	H						97	96	94	90	84	77	70	59				
		P						26.8	28.5	29.8	33	35.2	37.6	40	41.5				
	B	H						99	98	96	92	87	80	72	61				
		P						27.7	29.5	30.8	34	36.2	39	41.3	43				
	A	H						103	102	100	96	91	84	75	64				
		P						28.5	30.3	31.7	35	37.3	40	42.5	44.2				
		H																	
		P																	
		H																	
		P																	
		H																	
		P																	
		H																	
		P																	
	H																		
	P																		

H= Prevalenza in metri - Total manometric head in mts. - Hauteur manometrique en mt. - Förderhöhe in mt.

P= Potenza assorbita in CV - Absorbed power in HP - Puissance absorbée en CV - Leistungsaufnahme in PS

Pompa tipo	Girante	Portata - Capacity - Débit - Fördermenge																			
		mc/h	96	108	120	132	144	156	168	180	192	204	216	228	240	252	264	276	288		
Pump type	Impeller	l/min	1600	1800	2000	2200	2400	2600	2800	3000	3200	3400	3600	3800	4000	4200	4400	4600	4800		
Pompe type	Roue	USG/min	423	475	528	581	634	687	740	793	846	898	951	1004	1057	1110	1162	1215	1268		
Pumpe Typ	Laufrad	IG/min	352	396	440	484	528	572	616	660	704	748	792	836	880	924	968	1012	1056		
FMS100/2	F	H	65	64	62	59	56	53	50	47	42										
		P	36	38	40	42	44	46	48	49.5	51										
	E	H	70	69	68	65	62	59	56	53	48										
		P	39	41	44	46.5	49	51	53	54.5	56										
	D	H	76	75	73	70.5	68	65	62	59	55	51	48								
		P	43	46	48	51	54	56	57.5	60	62	63.5	65								
	C	H	82	81	79	76.5	74	71	68	65	61	58	54								
		P	46	50	53	56	59	61	63.5	65	68	69.5	71								
	B	H	88	87	85	82.5	80	77	74.5	71	68	65	61								
		P	51	54	57	61	64	66	68.5	71	74	75.5	77								
	A	H	94	93	92	89	87	85	81	78	74	71	68								
		P	55	58.5	62	66	69	71	74	77	80	82	84								
FMS100/3	F	H	100	98	96	93	88	83	79	75	69										
		P	55	58	61	66	69.5	73	75	77	80										
	E	H	106	104	101	98	94	89	85	81	75										
		P	58	62	65	70	73.5	77	80	83	86										
	D	H	112	110	108	105	100	95	92	87	81	76	71								
		P	61	65	69	74	77.5	81	84	87	91	93.5	96								
	C	H	118	116	114	111	107	103	99	94	87	81.5	78								
		P	65	69	73	78	81.5	85	89	92	97	99.5	101								
	B	H	124	122	120	117	113	110	105	100	93	87	84								
		P	70	74	78	83	86.5	90	94	98	102	104	107								
	A	H	130	128	126	123	119	116	111	107	100	95	91								
		P	74	78.5	83	88	92.5	95.5	99	103	108	111	114								
FMS125/2	E	H			77	76	75	73.5	72	70	68.5	67	65.5	62	60	56	53	50	47		
		P			53	55	57	59.2	61.2	63.9	66.6	68.7	70.7	72.7	74.8	76	77.5	79.5	81.6		
	D	H			83	82	81	80	79	77.5	76	74	71.5	70	67.5	63.5	61	57.5	54		
		P			58.8	60.5	62.5	64.6	66.6	70	73.4	76	78.8	81	83	85	87	88.3	89.8		
	C	H			87	86	85	84	83	81.5	80	79	77.5	75.5	73.5	70	67	64.5	62		
		P			62.5	64.6	66.6	69.4	72	75.5	78.9	82.3	85.7	87.7	89.7	92.5	95.2	97.3	99.3		
	B	H			92	91	90	89	88	87	86	85	83.5	82	80.5	78.5	76	73.5	71		
		P			66.6	69.4	72	74.8	77.5	80.8	84.3	88.4	92.5	94.5	96.5	99	102	105	107.5		
	A	H			98	97.5	97	96.5	96	95	94	92	90	88.5	87	84.5	82	79.5	77		
		P			70.5	73	77	81	83.5	87	90	92.5	97	100	103.4	107.5	110	112.5	115		
	FMS125/3	G	H			103	102	101	100	98	96	93	90.5	88	84.5	81	77.5	74	70	65	
			P			76	76.8	78.8	81.5	84	87.5	91	93.5	96.5	98	100	103	106	108.5	111.5	
F		H			108	107	106	105	103	100	98	96	94	90.5	87	83	79	75	71		
		P			79	81	83	85	87	90	94	96.5	99	102	105	107.5	110	112.5	115		
E		H			113	112	111	110	108	106	104	101	99	96	93	89	85	81.5	78		
		P			81.5	83.5	85.5	88	91	94	98	101.5	105	108	111	114	117	120	123		
D		H			119	118	117	116	114	112	110	108	106	103	100	96	93				
		P			87	89.5	92	95	98	103	109	111	113	116	119	121	123				
C		H			125	124	123	122	120	118	116	114	112	110	107						
		P			90	93	96.5	100	103	107	110	114	118	121	124						

H= Prevalenza in metri - Total manometric head in mts. - Hauteur manometrique en mt. - Förderhöhe in mt.

P= Potenza assorbita in CV - Absorbed power in HP - Puissance absorbée en CV - Leistungsaufnahme in PS

Pompa tipo	Girante	Portata - Capacity - Débit - Fördermenge																			
		mc/h	18	24	30	36	42	48	54	60	72	84	96	108	120	135	150	165	180		
Pump type	Impeller	l/min	300	400	500	600	700	800	900	1000	1200	1400	1600	1800	2000	2250	2500	2750	3000		
Pompe type	Roue	USG/min	79.3	106	132	158	185	211	238	264	317	370	423	475	528	594	660	726	793		
Pumpe Typ	Laufrad	IG/min	66	88	110	132	154	176	198	220	264	308	352	396	440	495	550	605	660		
FMSN50/2	A	H	49.5	47	43	38	32														
		P	7	8	8.8	9.6	10.2														
FMSN50/3	A	H	69.5	66	62.5	57	50														
		P	9.2	10.7	12	13.2	14.2														
FMS65/2	A	H		53	52.5	51.5	50	48	45.5	43	35	24									
		P		9.5	10.2	11	12	13	13.9	14.8	16	16.5									
FMS65/3	A	H		71	70	69	66	63	58.5	54	41	25									
		P		13	14	15	16	17.5	18.5	19.5	21	21.5									
FMS65/4	C	H		85	84	83	81	77	72.5	68	54	42									
		P		13.8	15.6	17.2	18.5	19.8	21.1	22	23.7	24.6									
	B	H		88	87	86	84	80	75.5	71	57	44									
		P		14.5	16.4	18	19.4	20.8	21.9	23	24.7	25.7									
	A	H		91	90	89	87	84	79	74	59	46									
		P		15	17	18.7	20	21.6	22.7	23.8	25.7	26.7									
FMS80/2	B	H						85	84.5	84	82	80	77	73.5	68	62	53				
		P						27	29	30.5	33	36	39	41.5	44	46.5	49				
	A	H						89.5	89	88.5	86.5	84.5	81	77.5	72	66	57				
		P						29.5	31.2	32.8	35.5	38.5	41.5	44	46.5	49	51.5				
FMS80/3	C	H						117	116	115	112	108	103	97	90	81	71				
		P						37	39.5	42	46	49	52.5	55	58	60.5	61.5				
	B	H						121	120	119	116	111	106	101	94	85	75				
		P						39	41	43	47	51	54	57	61	63	66				
	A	H						125	124	123	120	116	111	105	99	90	79				
		P						42.5	44.5	47	50.5	54.5	57.5	61.5	63.5	66.5	69.5				
FMS80/4	D	H						137	136	135	133	128	122	114							
		P						39.5	41.6	43.8	50	54.5	59.5	63.5							
	C	H						140	139	138	136	132	127	119							
		P						40.5	43	45.3	50.7	56.3	61.5	65.8							
	B	H						143	142	141	139	136	131	122							
		P						41.8	44.3	46.8	52.5	58.3	63.5	68							
	A	H						148	147	146	144	141	135	126							
		P						43	45.5	48	54	60	65.5	70							
		H																			
		P																			
		H																			
		P																			
		H																			
		P																			
		H																			
		P																			

H= Prevalenza in metri - Total manometric head in mts. - Hauteur manometrique en mt. - Förderhöhe in mt.

P= Potenza assorbita in CV - Absorbed power in HP - Puissance absorbée en CV - Leistungsaufnahme in PS

Pompa tipo	Girante	Portata - Capacity - Débit - Fördermenge																		
		mc/h	96	108	120	132	144	156	168	180	192	204	216	240	264	288	312	336	360	
Pump type	Impeller	l/min	1600	1800	2000	2200	2400	2600	2800	3000	3200	3400	3600	4000	4400	4800	5200	5600	6000	
Pompe type	Roue	USG/min	423	475	528	581	634	687	740	793	846	898	951	1057	1162	1268	1379	1480	1585	
Pumpe Typ	Laufrad	IG/min	352	396	440	484	528	572	616	660	704	748	792	880	968	1056	1144	1232	1320	
FMS100/2	F	H		95	94	93	91	88	85	81.5	77.5									
		P		62	66	69.7	72.7	75.5	78	80.7	83									
	E	H		102	101	100	98	96	93	89.5	86	82	78							
		P		68	72	76	79	82	85	88	91	93	95							
	D	H		111	110	109	107	104	101	98	94.5	90.5	86.5							
		P		74	78	82.5	86.5	90	94	97	100	103	106							
	C	H		118	117	116	115	113	110	107	104	100	95	85						
		P		82	86	91	95	98	102	106	110	113	116	120						
	B	H		128	127	126	125	123	119	116	112	108	104	95						
		P		88	93	98	103	107	111	114	119	124	128	131						
A	H		137	136	135	133	131	128	126	122	118	114	105							
	P		96	101	105	109	114	118	124	128	132	136	139							
FMS100/3	F	H		148	146	143	140	136	131	126	121	116	112	100						
		P		94	99	104	109	114	118	122	126	131	136	142						
	E	H		157	155	153	150	147	142	137	132	126	120	108						
		P		100	105	110	115	120	124	129	135	140	146	152						
	D	H		164	163	161	158	154	150	145	140	135	130	116						
		P		106	112	118	123	128	133	138	143	147	152	158						
FMS125/2	G	H					96	95	94	93	91.5	90	88	83.5	78	71.5	63	52.5	41.5	
		P					74	77	80	83	86	89	91.5	96.5	102	108	113	117	121	
	F	H					103	102	101	100	98.5	96.5	94.5	90	85	79	72	63.5	54	
		P					85	88	91	94	97	99.5	102	109	115	121	126	129	133	
	E	H					109	108	107	106	105	103	101	97.5	92.5	87	80	73.5	65	
		P					96	98	101	104	107	112	115	118	125	132	137	143	147	
	D	H					119	118	117	116	115	114	112	108	103	97.5	90.5	84		
		P					98	102	107	111	115	118	122	128	135	143	149	155		
	C	H					126	125	124	123	122	121	119	116	111	106	98			
		P					102	107	112	116	120	124	128	136	145	154	162			
		H																		
		P																		
		H																		
		P																		
		H																		
		P																		
		H																		
		P																		
		H																		
		P																		
		H																		
		P																		

H= Prevalenza in metri - Total manometric head in mts. - Hauteur manometrique en mt. - Förderhöhe in mt.
P= Potenza assorbita in CV - Absorbed power in HP - Puissance absorbée en CV - Leistungsaufnahme in PS

Pompa tipo	Girante	Portata - Capacity - Débit - Fördermenge																		
		mc/h	18	24	30	36	42	48	54	60	72	84	96	108	120	135	150	165	180	
Pump type	Impeller	l/min	300	400	500	600	700	800	900	1000	1200	1400	1600	1800	2000	2250	2500	2750	3000	
Pompe type	Roue	USG/min	79.3	106	132	158	185	211	238	264	317	370	423	475	528	594	660	726	793	
Pumpe Typ	Lauftrad	IG/min	66	88	110	132	154	176	198	220	264	308	352	396	440	495	550	605	660	
FMSN50/2	A	H	64.5	62.5	59	54.5	48	41												
		P	9.7	11	12	13.2	14.2	15												
FMSN50/3	B	H	86.5	85	82	77	71	63												
		P	12	13	15.8	17.5	19	20												
	A	H	90	88.5	85.5	81	74.5	66.5												
		P	13	15	16.7	18.5	20	21.5												
FMS65/2	A	H	69.5	69	68.5	67	65.5	61	61	54	45									
		P	14	15	16	17	18.2	19.1	20	22	23.5									
FMS65/3	B	H	91	89	88	86	83	79	75	63	47									
		P	18	19	21	23	24.5	25.5	27	28.5	30									
	A	H	94	93	91	89	87	83.5	80	67	51									
		P	18.5	20.5	22.5	24	26	27	28	30	32									
FMS65/4	D	H	109	108	107	105	101	96.5	92	82	69	51								
		P	18.4	21	22.8	24.7	26.2	27.8	29.3	31.8	33.2	34.5								
	C	H	112	111	110	108	105	100	95	85	72	53								
		P	19.2	22	23.8	25.8	27.5	29	30.5	33.2	34.7	36								
	B	H	115	114	113	112	109	104	99	87	75	55								
		P	20	22.7	24.8	26.8	28.5	30.2	31.8	34.5	36	37.6								
	A	H	120	119	118	116	113	108	104	91	77	58								
		P	20.7	23.6	25.7	28	29.6	31.3	33	36	37.6	39								
FMS80/2	D	H						102	101	100	98	96	93	90	85	79	73			
		P						37.5	39	40.5	43.5	46.5	50.5	52.5	55.5	58.5	61.5			
	C	H						107	106	105	103	101	98	94	90	84	77			
		P						39.5	41	42.5	46.5	49.5	52.5	55.5	58.5	61.5	64.5			
	B	H						112	111	110	108	106	103	99	95	89	82			
		P						41.5	43.5	45.5	48.5	51.5	55.5	58.5	61.5	64.5	67.5			
	A	H						117	116	115	113	111	108	104	100	94	87			
		P						44.5	46	48	51.5	55.5	59	62.5	65.5	68.5	72			
FMS80/3	E	H						145	144	143	140	136	131	126	120	111	102			
		P						49.5	52	54.5	58.5	62.5	67.5	71.5	75.5	81.5	86.5			
	D	H						150	149	148	145	141	137	131	125	116	106			
		P						51.5	54	56.5	60.5	64.5	69.5	73.5	78.5	83.5	89.5			
	C	H						154	153	152	150	146	141	136	129	120	110			
		P						53.5	56	58.5	63.5	67.5	72.5	76.5	81.5	87.5	92.5			
	B	H						159	158	157	154	151	146	141	134	125	116			
		P						55.5	58.5	61.5	65.5	70.5	75.5	80.5	84.5	90.5	95.5			
	A	H						164	163	162	159	155	151	146	140	132	122			
		P						58	61	63.5	68.5	73	78	83	87.5	92.5	97.5			
		H																		
		P																		
		H																		
		P																		

H= Prevalenza in metri - Total manometric head in mts. - Hauteur manometrique en mt. - Förderhöhe in mt.

P= Potenza assorbita in CV - Absorbed power in HP - Puissance absorbée en CV - Leistungsaufnahme in PS

Pompa tipo	Girante	Portata - Capacity - Débit - Fördermenge																			
		mc/h	18	24	30	36	48	60	72	84	96	108	120	135	150	165	180	195	210		
Pump type	Impeller	l/min	300	400	500	600	800	1000	1200	1400	1600	1800	2000	2250	2500	2750	3000	3250	3500		
Pompe type	Roue	USG/min	79.3	106	132	158	211	264	317	370	423	475	528	594	660	726	793	858	925		
Pumpe Typ	Lauftrad	lG/min	66	88	110	132	176	220	264	308	352	396	440	495	550	605	660	715	770		
FMSN50/2	B	H	74.5	73	70	65.5	53														
		P	11.5	12.8	14.2	15.7	18														
	A	H	78	76.5	73.5	69	56														
		P	12	13.7	15.2	16.7	19														
FMSN50/3	C	H	100	99	96	91.5	79														
		P	15.5	17.5	19.5	21	24														
	B	H	105	103	100	95.5	83														
		P	16	18	20.5	22	26														
	A	H	109	107	105	100	87.5														
		P	17	19	21.5	23.5	27														
FMS65/2	B	H		80	79	78	76	71.5	64.5	55	45										
		P		16	17.5	19	22	24.5	26.5	28	29										
	A	H		85	84	83	81	76.5	70	61	50										
P			17.5	19	20.5	23	26	28.5	30	31.5											
FMS65/3	C	H		105	104	103	98.5	91.5	80	65	48										
		P		22	24	25.5	29	32	35	36.5	38										
	B	H		110	108	107	103	96	85	70	53										
		P		23	24.5	27	31	34	37	38.5	40.5										
	A	H		114	113	112	108	101	90	75	58										
		P		24	26	28.5	32	36	38.5	41	42.5										
FMS65/4	D	H		130	129	127	124	116	104	92	76										
		P		23.5	26	28.3	33	37	40	42.5	44.5										
	C	H		135	134	132	128	120	108	97	78										
		P		24.5	27	29.5	34.5	38.5	41.8	44	46.5										
	B	H		140	139	138	134	125	113	101	81										
		P		26.5	28	30.5	36	40	43.5	46	48.3										
	A	H		145	144	143	139	130	118	105	85										
		P		26.5	29.5	32	37.5	41.5	45.5	48	50.5										
FMS80/2	F	H					114	112	110	107	104	101	97	92	87	81	74				
		P					42.5	46	49.5	53	56.5	59.5	62.5	66	69	71.5	72				
	E	H					119	117	115	113	109	106	102	97	91.5	86	79				
		P					44.5	48.5	52.5	56	59.5	62.5	66	69.5	73	76	77				
	D	H					125	123	121	118	115	112	108	103	97	91.5	85				
		P					47.5	51.5	55.5	59.5	63	66.5	69.5	73.5	77.5	80.5	82.5				
	C	H					131	129	127	124	121	118	114	109	103	97.5	90				
		P					51	54.5	58.5	62.5	66.5	70	73.5	77.5	80.5	83.5	86				
	B	H					136	134	132	130	127	123	119	114	109	103					
		P					52.5	56.5	61.5	65.5	69.5	73.5	77.5	81.5	85.5	89					
	A	H					142	140	138	136	133	130	126	120	114						
		P					55.5	60.5	65	69.5	73.5	77.5	81.5	86.5	90						
		H																			
		P																			
		H																			
		P																			

H= Prevalenza in metri - Total manometric head in mts. - Hauteur manometrique en mt. - Förderhöhe in mt.

P= Potenza assorbita in CV - Absorbed power in HP - Puissance absorbée en CV - Leistungsaufnahme in PS

Pompa tipo	Girante	Portata - Capacity - Débit - Fördermenge																	
		mc/h	18	24	30	36	48	60	72	84	96	108	120	135	150	165	180	195	210
Pump type	Impeller	l/min	300	400	500	600	800	1000	1200	1400	1600	1800	2000	2250	2500	2750	3000	3250	3500
Pompe type	Roue	USG/min	79.3	106	132	158	211	264	317	370	423	475	528	594	660	726	793	858	925
Pumpe Typ	Lauftrad	IG/min	66	88	110	132	176	220	264	308	352	396	440	495	550	605	660	715	770

FMSN50/2	C	H	83	82	79	75	63													
		P	12.8	14.5	16	17.7	20.5													
	B	H	88	87	84	80	68													
		P	13.5	15.5	17	19	22													
	A	H	93	92	89	85	73													
		P	15	17	18.5	20.5	23.5													

FMSN50/3	D	H	118	116	113	108	94													
		P	18.5	21	23.5	25.5	29.5													
	C	H	122	120	117	113	98													
		P	19.5	22	24.5	27	30.5													
	B	H	126	125	122	118	104													
		P	20.5	23	25.7	28	32.5													
A	H	132	130	128	123	110														
	P	21.5	24.5	27	29.5	34.5														

FMS65/2	C	H	89	88	87	85	82	76	67	58										
		P	18	19	21	24	27	30	31	33										
	B	H	94	93	92	91	87	81	73	63										
		P	19	21	22.5	26	29.5	32	34	35.5										
	A	H	100	99	98	96	93	87	79	69										
		P	21	22.5	24.5	28	31.5	34.5	37	38.5										

FMS65/3	D	H	120	119	117	114	107	97	83	63										
		P	25	27	29	33	38	41	42	43										
	C	H	125	124	122	118	112	102	89	69										
		P	26	28	31	35	40	43	45	46										
	B	H	129	128	127	123	117	108	95	75										
		P	28	30	32	37	41	45	48	49										
A	H	135	134	132	128	122	113	100	81											
	P	29.5	32	34	39	43.5	47.5	51	53.5											

FMS80/2	F	H					133	131	129	127	124	120	116	110	105	98			
		P					52	56	61	65	69	73	77	81	84.5	88.5			
	E	H					139	138	136	133	130	126	122	117	112	105			
		P					55	60	64	69	73	77	81	85	89.5	93.5			
	D	H					146	144	142	140	137	133	129	124	119	111			
		P					59	64	68	73	77	81	85	90	95.5	98.5			
C	H					152	150	148	146	143	140	136	130	125	117				
	P					62	67	72	76.5	81.5	85.5	90	95	100	103				
B	H					159	157	155	153	150	147	143	138	132					
	P					65	71	76	80.5	86	90.5	95	101	105					
A	H					166	164	162	160	157	154	150	145						
	P					69	75	81	86	91	96	100	106						

H= Prevalenza in metri - Total manometric head in mts. - Hauteur manometrique en mt. - Förderhöhe in mt.
P= Potenza assorbita in CV - Absorbed power in HP - Puissance absorbée en CV - Leistungsaufnahme in PS

Dati tecnici di costruzione e funzionamento - Technical data of construction and working

Données techniques de construction et fonctionnement - Technische Daten-Bau und Betrieb

PRODUZIONE STANDARD

STANDARD EXECUTION

EXÉCUTION STANDARD

STANDARD PRODUKTION

- Le parti idrauliche e i supporti sono in ghisa, gli alberi di trasmissione in acciaio al carbonio bonificati, i cuscinetti lubrificati ad olio. Le tenute sull'albero a baderna o meccanica (per lavoro max a 11 BAR) con facce di contatto in carburo di tungsteno.

- The hydraulic components and supports are in cast iron, the transmission shafts are in heat-treated carbon steel, the bearings are oil lubricated. The seals on shaft are stuffing box or machanical with contact faces in tungsten carbide (max 11 BAR working).

- Francese.

- Tedesco

- Queste macchine sono realizzate per pompare acqua dolce, pulita e chimicamente non aggressiva. Il contenuto, in sospensione, di sostanze solide del limo può essere al massimo in durezza e granulometria di 20 g/m³

- These equipment are built for pumping clean fresh water, chemically non-aggressive. Max content, in suspension, of solid substances of the slime can be in grain size and hardness of 20 g/m³

- Francese

- Tedesco

- Il senso di rotazione è antiorario guardando la bocca di aspirazione. L'orientamento della bocca di mandata è radiale verso l'alto, ma può essere, a richiesta, ruotato di 90° a destra o a sinistra.

- The direction of rotation is counter clockwise viuwed from suction side. The discharge body positioning is radial upward, but on request cab be turned of 90° at right or left.

- Francese

- Tedesco

- Le macchine possono funzionare a bocca chiusa con liquido a 20°C per un tempo di 15 min.

- The maximum operating time with closed discharge and liquid at 20°C (68°F) is 15 min..

- Francese.

- Tedesco.

- In esecuzione speciale e a richiesta si possono avere alberi in acciaio inox e giranti in bronzo.

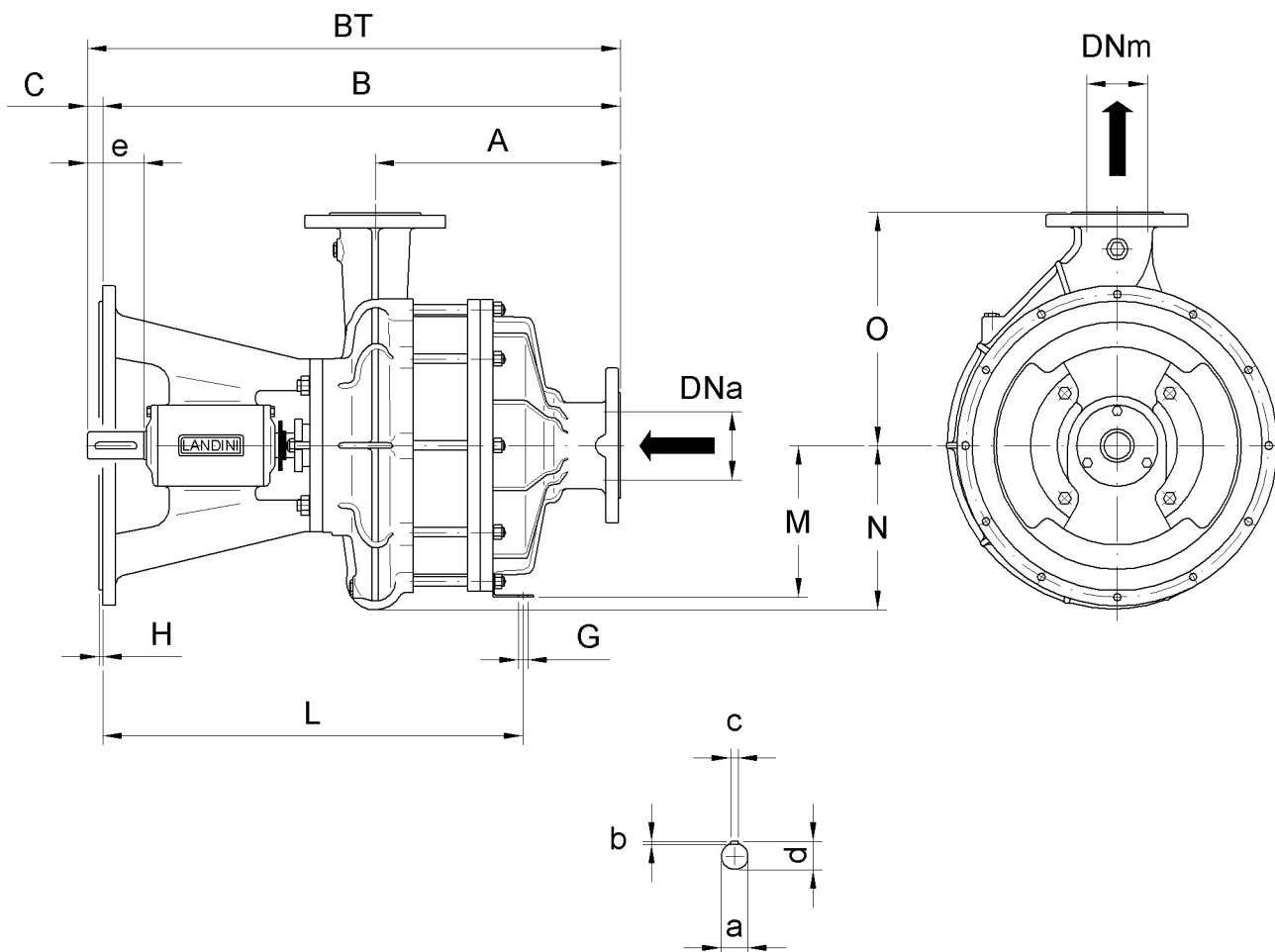
- On demand and special version, stainless steel shafts and bronze impellers are available.

- Francese.

- Tedesco.

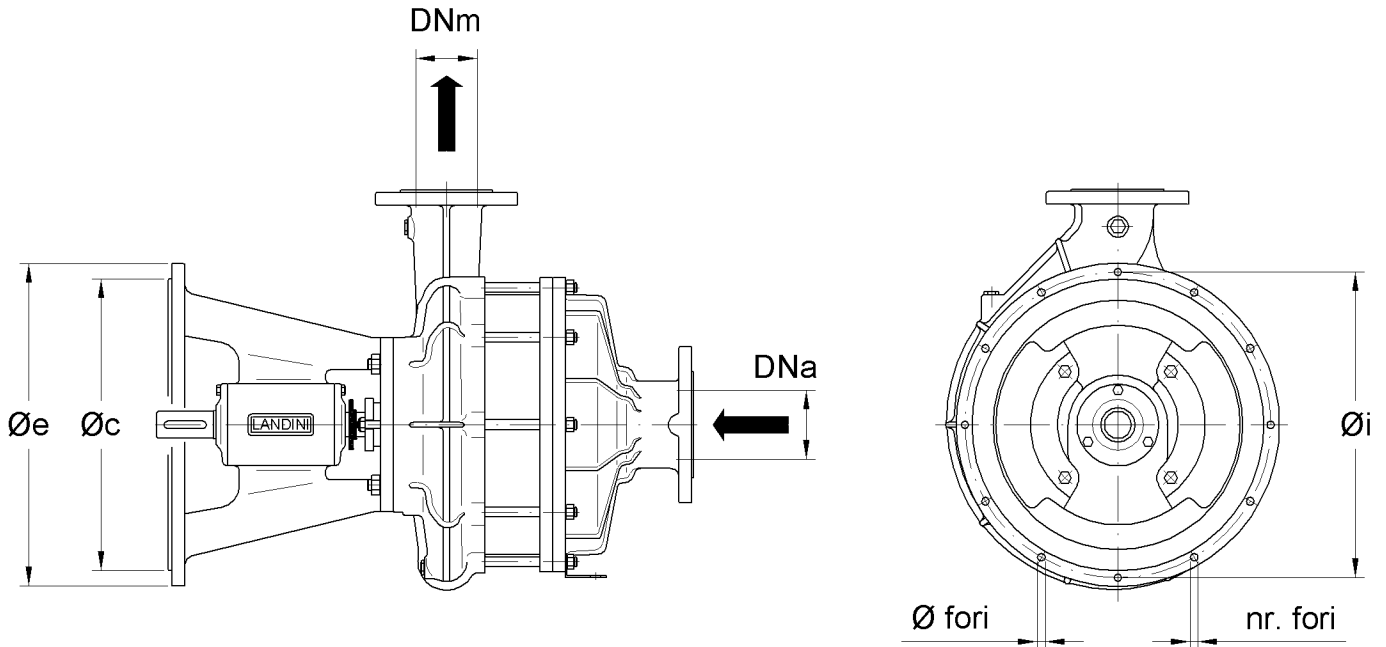
Dimensioni e ingombri - Overall dimensions - Dimensions d'encombrement - Maße

Lubrificazione ad olio - Oil lubrication - Lubrification par huile - Ölschmierung



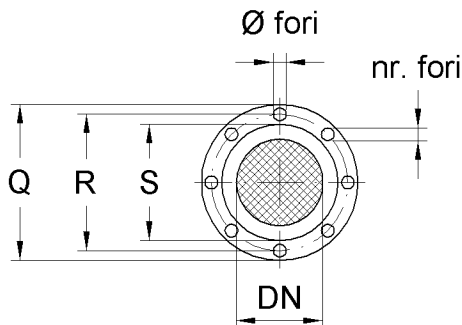
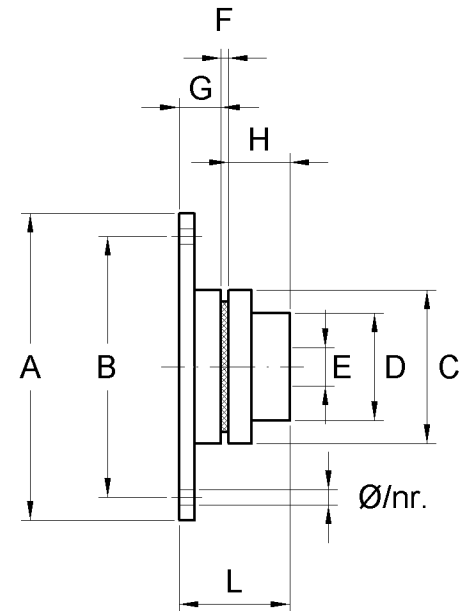
Pompa Tipo Pump Type Pompe Type Pumpe Typ	DNa	DNm	A	B	BT	C	G	H	L	M	N	O	e	a	d	c x b	Kg.	
																	SAE 3	SAE 4
FMSN50/2	65	50	188	593	615	22	18	6.5	590	165	178	250	80	38	41.5	10x8	99	94
FMSN50/3			264	668	690												118	113
FMS65/2	80	65	190	595	617	22	18	6.5	595	165	192	275	80	38	41.5	10x8	107	102
FMS65/3			265	670	692												126	121
FMS65/4			340	745	767												145	140
FMS80/2	100	80	253	638	660	22	18	6.5	528	205	233	330	80	38	41.5	10x8	138	132
FMS80/3			624	170	165													
FMS80/4			720	204	198													
FMS100/2	125	100	290	797	819	22	22	6.5	634	280	287	400	100	42	45.5	12x8	244	
FMS100/3			780	302														
FMS125/2	150	125	290	796	818	22	22	6.5	780	280	300	425	100	42	45.5	12x8		
FMS125/3			912															

Dimensioni e ingombri - Overall dimensions - Dimensions d'encombrement - Maße



SAE	Øc	Øe	Øi	Ø fori	nr. fori
3	409.575	453	428.625	11	12
4	361.950	405	381		

Tipo di giunto Coupling type Joint type Kupplung Typ	A	B	C	D	E	F	G	H	L	$\text{Ø}/\text{nr.}$
7" ¹ / ₂	241.30	222.25	221	150	38	3	26	66.5	95.5	9 / 8
8"	263.52	244.47	221	150	38	3	26	66.5	95.5	11 / 6
10"	314.32	295.27	221	150	38	3	26	66.5	95.5	11 / 8
11" ¹ / ₂	352.42	333.37	221	150	38 / 42	3	26	66.5	95.5	11 / 8



DN (UNI PN25)	Q	R	S	Ø fori	nr. fori
50	165	125	102	18	4
65	185	145	122		
80	200	160	130		
100	220	180	158		
125	250	210	188	22	8
150	285	240	210		

LANDINI

Pompe s.r.l.

46023 GONZAGA (MN) ITALY

Via O. Neri, 2

tel. +390376588222

fax +390376588683

<http://www.landinipompe.it>

e-mail: info@landinipompe.it
